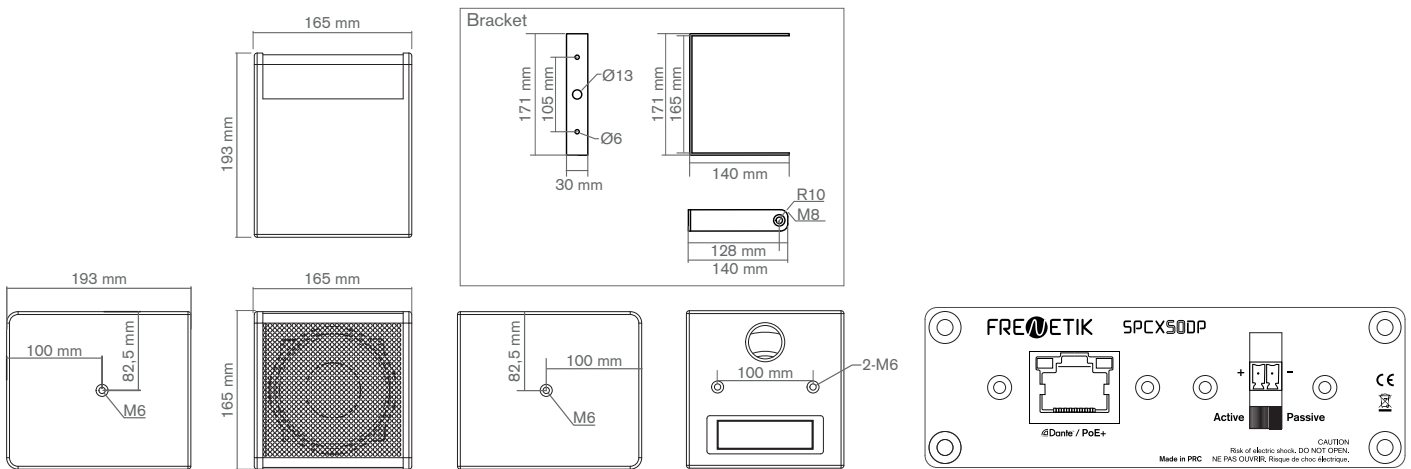


**5" coaxial 2-way powered speaker
Dante™ PoE+**



Reference	SPCX50DP
Type	2-way coaxial speaker
Power (passive mode)	60 W (8 ohms)
Amplification	60 W (class D)
Dante™ Receiver	1 (16 / 24 / 32 bit - 44.1 à 96 kHz)
Transducers	1 x 5" woofer 1x 1" tweeter
Peak SPL capacity (1 m)	112 dB
Bandwidth (-10 dB)	95 Hz - 20 kHz
Directivity (H x V)	100° x 100°
Input connectors	1 x RJ45 + Euroblock connector
Insert	4 x M6
Dimensions (H x W x D)	165 x 165 x 193 mm
Weight	2.5 kg
Alimentation	PoE+ (IEEE 802.3 at)
Accessories	Bracket included Optional SPK Mount
Certification	CE

PoE+



Accessorie: SPK Mount: 3-axis wall / ceiling mounting (available in black or white): WMB / WMB-W

